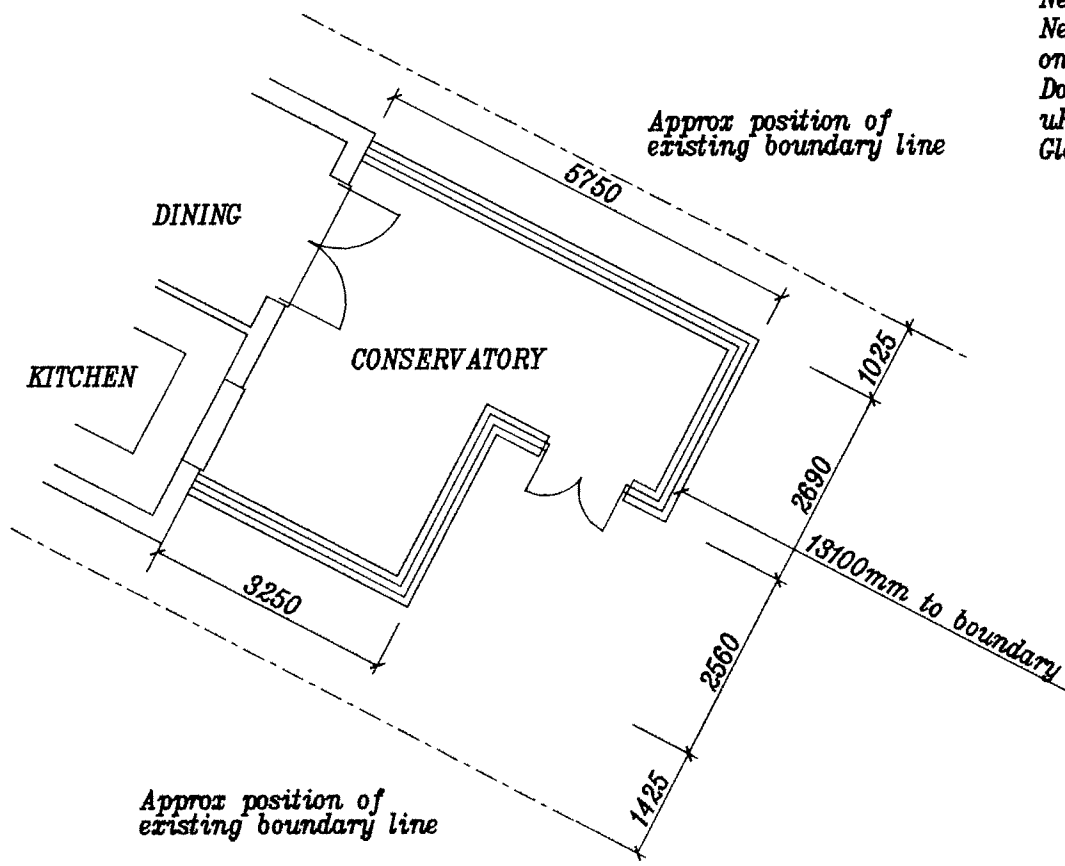


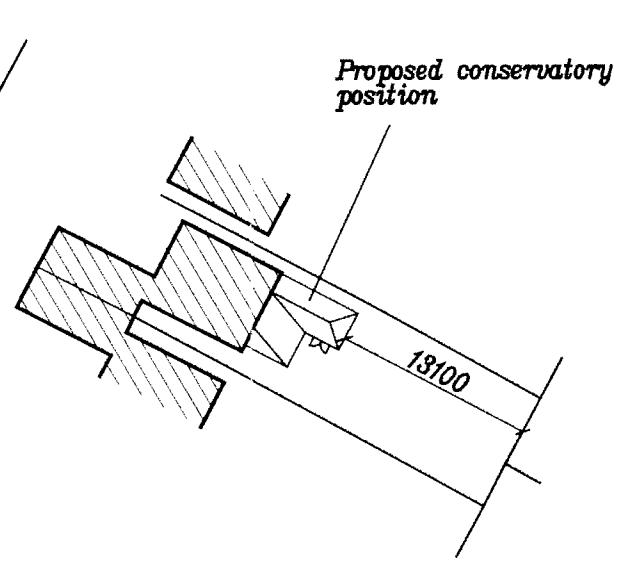
PROPOSED REAR & SIDE ELEVATIONS (1:100)

PLANNING
- 5 FEB 2010
EBC

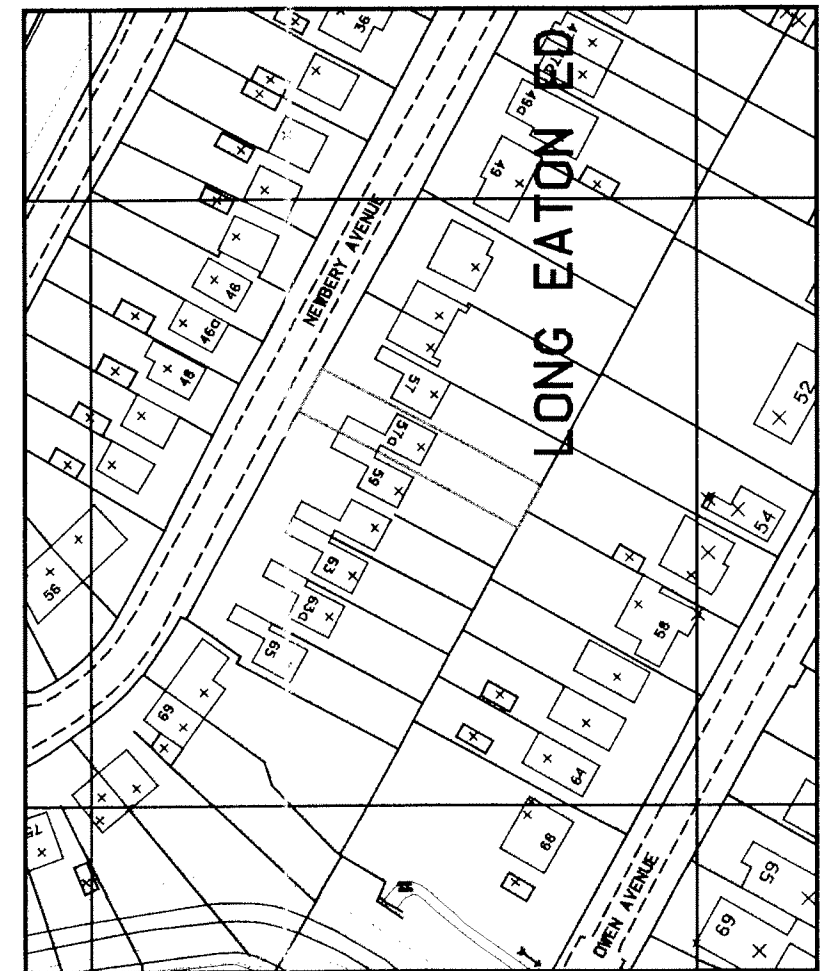
*New facing brickwork to match existing house.
New concrete/screed floor, including polythene DPM
on hard core base (airbricks to be ducted if required).
Double glazed safety glazing.
uPVC framing- colour white
Glass roof*



PROPOSED PLAN (1:100)



SITE LAYOUT (1:500)



LOCATION PLAN (1:1250)



OS Digital Data Supplied by: ProMap Licence Number: 100020449

National Grid sheet reference at centre of this Superplan: SK4932NE